

1500VA / 2000 VA
15-1200 Hz

1 ϕ \rightarrow 0 - 132 / 150 VL-N

2 ϕ \rightarrow 0 - 264 / 300 VL-L

3 ϕ \rightarrow 0 - 132 / 150 & 228 / 260 VL-L

Standard Features:

- Single phase output from front panel or bus command.
- 15 to 1200 Hz. Operation – 5000 Hz small signal bandwidth.
- Precision Voltage Programming – 0.05% with Continuous Self-Calibration (CSC) engaged.
- True-RMS metering of volts, amps, and power.
- LAN, USB, GPIB & RS232 Interfaces standard
- Waveform Library – Arbitrary Waveform Generator.
- 200 stored programs with associated transients for static and dynamic test applications.
- Programmable Output Impedance
- Harmonic Analysis and Waveform Synthesis
- Current Inrush Capture and Waveform Analysis

Available Options:

- T option transformers for higher voltage ranges
- Rack enclosures with caster base



Models 315LSXT(M)-M99211 & 320LSXT(M)-M99211

As members of Pacific's LSX-Series family of high performance AC Power Sources, the 315LSXT and 320LSXT offer low acoustic noise, ease of installation, and maximum power density found in all of Pacific's high frequency, pulse width modulated AC Power Sources. Control and operational features provide a high degree of versatility and ease for applications ranging from simple, manually controlled frequency conversion to harmonic testing and sophisticated bus programmable transient simulation.

AC TEST POWER

The 315LSXT and 320LSXT are equipped with an advanced controller using three digital signal processors (DSPs) and one command processor with the ability to operate as a fully integrated test system. It supplies a variety of power conditions and transients to the device under test while metering and analyzing all output performance parameters.

FREQUENCY/VOLTAGE CONVERSION

The models are an excellent source of stable AC Voltage over the frequency range of 15 to 1200 Hz. The output frequency is quartz-crystal stabilized. Output voltages up to 300V_{LL} are available on these models.

LSXT SERIES REAL TIME CONTROLLER

These LSXT models uses a powerful real-time controller for generating AC waveforms, harmonics and inter harmonics and to digitize voltage and current output waveforms and measurements. All controllers provide intuitive front panel using a color touch screen LCD or remote control through standard LAN, USB, GPIB and RS232 interfaces.



Model Output Ratings

MODEL	Rated Power (VA) ¹	Output Form	Output Voltage Max ² (I-n/I-l)				Output Current ³ (A _{rms})			
			Direct	M99211 Transformer			Direct	M99211 Transformer		
				Ratio 1.5:1	Ratio 2.0:1	Ratio 2.5:1		Ratio 1.5:1	Ratio 2.0:1	Ratio 2.5:1
315LSXT /LSXTM	1500	1, 2	132 / 264	n/a	n/a	n/a	12 / 6	n/a	n/a	n/a
		3	132 / 228	187 / 325	250 / 433	312 / 540	4 / ϕ	2.33 / ϕ	1.75 / ϕ	1.4 / ϕ
320LSXT /LSXTM	2000	1, 2	150 / 300	n/a	n/a	n/a	20 / 12	n/a	n/a	n/a
		3	150 / 260	187 / 325	250 / 433	312 / 540	7 / ϕ	3 / ϕ	2.25 / ϕ	1.8 / ϕ

- Notes:**
1. Rated output power is based on a combination of output voltage, current and load power factor. Values stated represent the rated capabilities of a given model. Consult factory for assistance in determining specific unit capabilities as they might apply to your application.
 2. Output voltage ranges listed are for standard units at 125Vac Direct setting. VMAX is achievable with nominal input voltage at full load.
 3. Available current will vary with output voltage and power factor.



LSXT Power Source Specifications (PF = 1.0, $V_{out} > 25\%$ F.S.)

Output Frequency	Line Regulation	Load Regulation ¹	Output Distortion (V_{THD})	Ripple & Noise	Response Time
Full Power 15-1200 Hz Direct Coupled 45-1200 Hz Transformer Coupled	0.1% max for a $\pm 10\%$ line change	Direct Coupled Ranges: 15 to 200 Hz $< \pm 0.25\%$ 200 to 1200 Hz $< 0.5\%$	15 to 200 Hz $< \pm 0.25\%$ 200 to 1200 Hz $< f * 0.7 + 0.11\%$	< 66 dB	60 msec typ. for a 10-90% load step

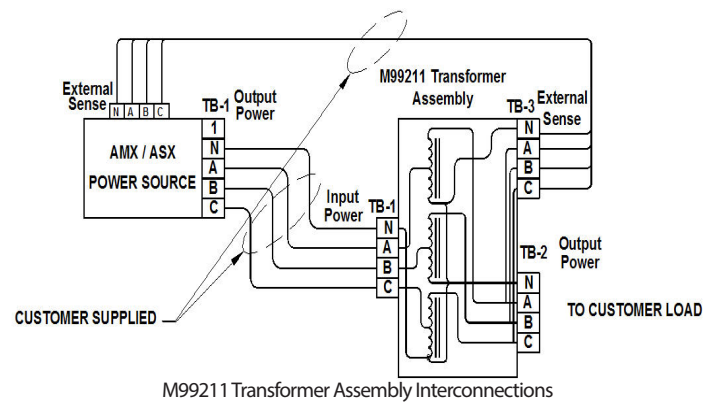
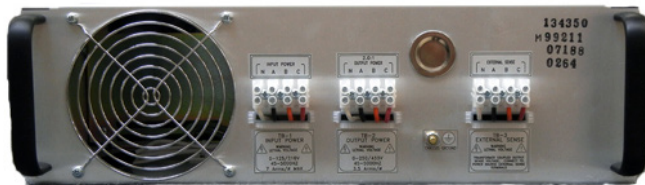
Note 1: Improves to less than 0.05% with external sense and CSC mode enabled. Frequency "f" is in kHz. For transformer coupled voltage ranges, load regulation by step-up ratio is: 1.5:1 - 2%, 2.0:1 - 4%, 2.5:1 - 5%. Improves to $< 0.1\%$ with external sense and CSC mode enabled.

M99211 Transformer Magnetics Module

Rated Power (VA)	Output Ratio	Nominal Output Voltage @125V set (L-N/L-L)	Current $A_{rms/\phi}$	Load Regulation (Typical)	Dimensions	Weight
2000	1.5:1	187 / 325	3	Varies from 2 to 5% depending on ratio. Improves to less than 0.1% with external sense and CSC enabled	3U 5.25 x 19 x 23 133mm x 483mm x 584mm	70 Lbs 32 Kg
	2.0:1	250 / 433	2.25			
	2.5:1	312 / 540	1.8			

When combined with the 315LSXT or 320LSXT, the M99211 external Transformer assembly provides an additional 3ϕ , high voltage, output range. Three high performance, multi-tapped, autotransformers are assembled in a 19" rack-mount chassis and are configured with either a 1.5, 2.0, 2.5:1 step-up ratio (specified at time of order).

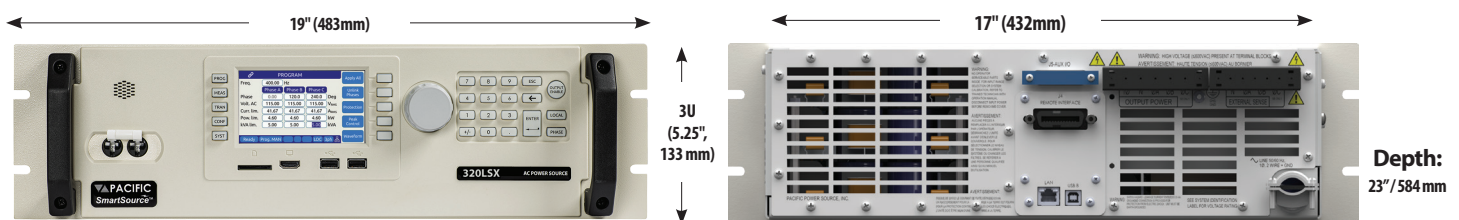
Refer to the table above for rated output voltages and currents when supplied with a nominal, 125 V/ ϕ input signal.



AC Input Power Requirements (47-63 Hz)

Input Voltage:	100 Vac $\pm 10\%$	110 Vac $\pm 10\%$	120 Vac $\pm 10\%$	200 Vac $\pm 10\%$	208 / 220 Vac $\pm 10\%$	230 / 240 Vac $\pm 10\%$
AC Input Current:	22 Arms	20 Arms	18 Arms	10 Arms	10 Arms	9 Arms
Recommended Input Service:	25 A	25 A	25 A	15 A	15 A	15A

Chassis Dimensions and Weights



Ordering Information

Model	T Ratios	AC Input Voltage (1 ϕ)	Options
315LSXT-M99211 315LSXTM-M99211	1.5:1 / 2.0:1 / 2.5:1	Specify: 100, 110, 120, 200, 208, 220, 230 or 240	SmartSource Suite Avionics or IEC Test Sequences
320LSXT-M99211 320LSXTM-M99211	1.5:1 / 2.0:1 / 2.5:1		

Order Example:

- 320LSXT-M99211, V_{in} : 230VAC
- 2000VA, 1-Phase, AC Power Source
- 230VAC, 1 Phase Input Voltage

Model	Lbs / Kg
315LSXT/LSXT+Mag Module	155 / 70.5
320LSXT/LSXT+Mag Module	155 / 70.5

M Version = reduced controller feature set



2802 Kelvin Avenue, Suite 100
Irvine, CA 92614 USA
Phone: +1 949.251.1800
Fax: +1 949.756.0756
Toll Free: 800.854.2433
E-mail: sales@pacificpower.com
Web: www.pacificpower.com